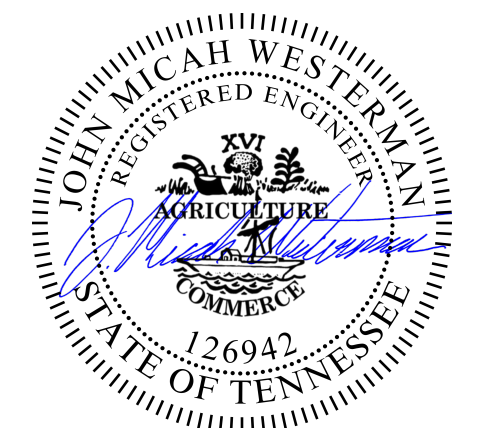


**2026 TOWN OF DOVER
LICK CREEK CITY
PARK WALKING TRAIL
REPAIR**

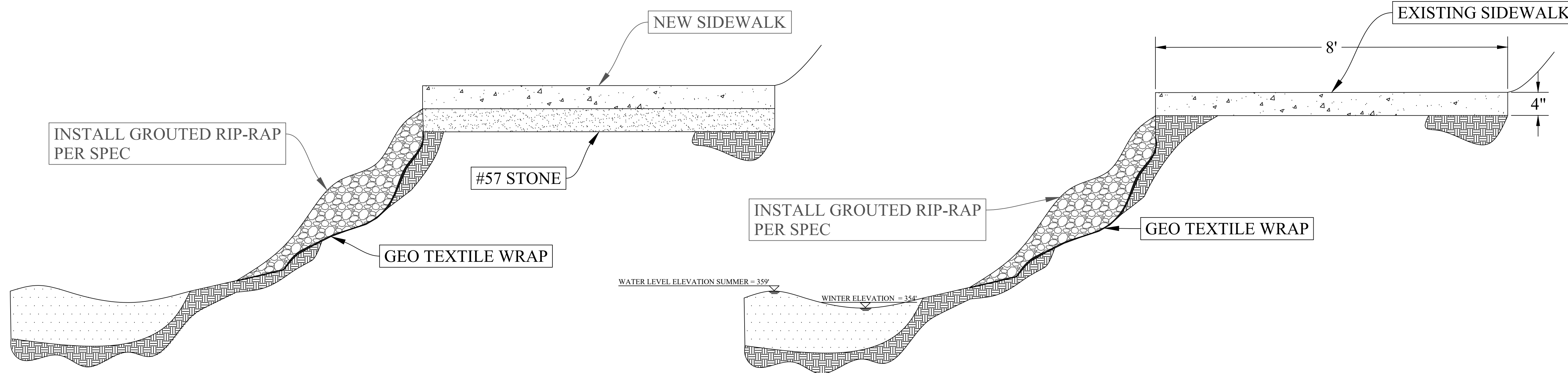
THE TOWN OF DOVER



DATE: 04/14/2026

SECTION A-A

SECTION B-B



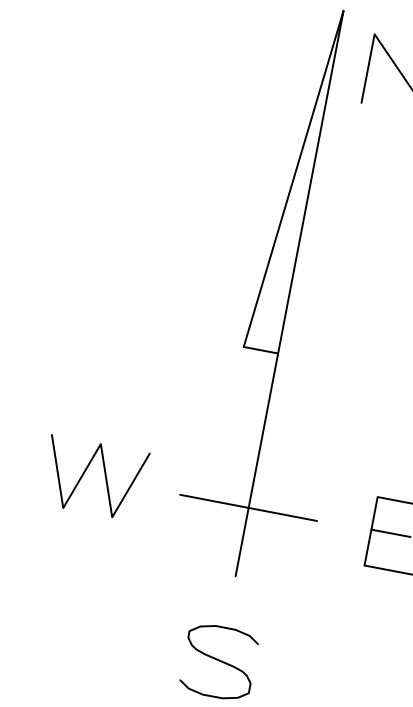
LEGEND	
	EXISTING CONCRETE
	PROPOSED RIP-RAP
	GEO TEXTILE WRAP
	PROPOSED #57 STONE
	EXISTING WATER
	EXISTING GROUND



Know what's below.
Call before you dig.
800-292-8525
www.tn811.com

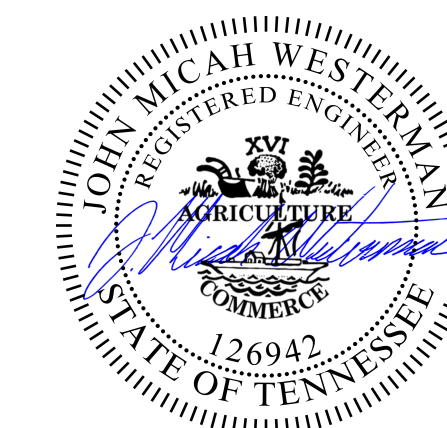
REVISION BLOCK

NO.	REVISION:	DATE:
A	FINAL PLANS	04/14/2026

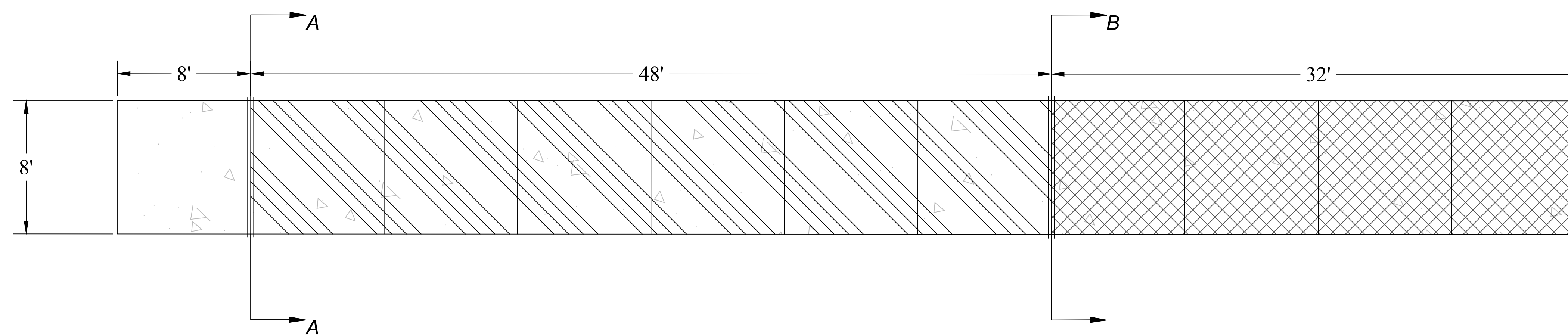


**2026 TOWN OF DOVER
LICK CREEK CITY
PARK WALKING TRAIL
REPAIR**

THE TOWN OF DOVER



DATE: 04/14/2026



LEGEND	
	EXISTING CONCRETE
	REMOVED SIDEWALK
	RIP-RAP ADDITION
A	SECTION A
B	SECTION B



Know what's below.
Call before you dig.
800-292-8525
www.tn811.com

REVISION BLOCK

NO.	REVISION:	DATE:
A	FINAL PLANS	04/14/2026